



# SJ12/16

## VERTICAL MAST LIFTS

### STANDARD FEATURES

- Drivable at full height with platform retracted
- Variable speed, front two wheel hydraulic drive
- 90° Steering (zero inside turning radius)
- Dual holding brakes
- Proportional controls for drive and lift functions
- 0.41 m Traversing platform
- 24V DC Power source
- Low voltage battery protection
- 30% Gradeability
- Solid rubber, non-marking tyres
- Pothole protection system
- Wiring for AC outlet at platform
- Tilt alarm with drive & lift cut-out
- Lanyard attachment points
- Operator horn
- Lift rings/tie downs
- Full height spring hinged gate
- Relay-based control system
- SKYCODED™ Colour coded and numbered wiring system
- Telematics ready

### ACCESSORIES AND OPTIONS

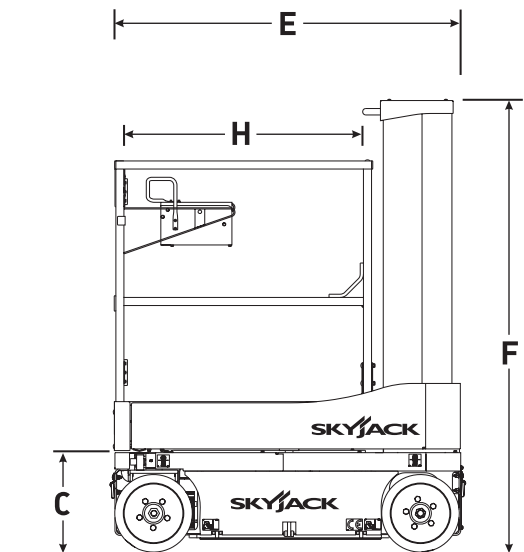
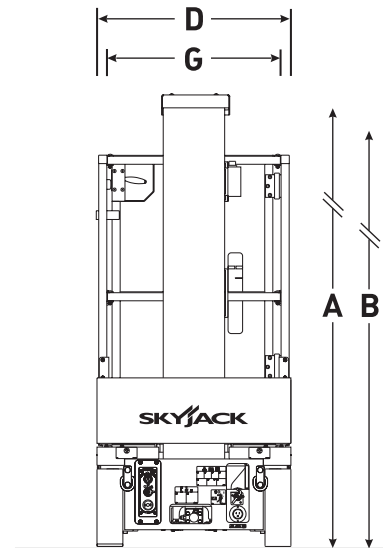
- All motion audible alarm
- Dual flashing lights
- AGM batteries
- Light duty pipe rack/steel stud rack
- Shroud-style control box guard
- Tool tray
- Bio Oil
- Outdoor wind rating (SJ16 up to 3.65 m)
- Secondary Guarding Lift Enable (SGLE)
- ELEVATE telematics

† Standard lead times may be increased when optional equipment is added, consult factory.

‡ Capacities, and machine weights may differ when options are added.

## SJ12/16 VERTICAL MAST LIFTS

Dimensions	SJ12	SJ16
<b>A</b> Work Height	5.65 m	6.75 m
<b>B</b> Raised Platform Height	3.65 m	4.75 m
<b>C</b> Lowered Platform Height	0.45 m	0.45 m
<b>D</b> Overall Width	0.77 m	0.77 m
<b>E</b> Overall Length	1.37 m	1.37 m
<b>F</b> Stowed Height	1.79 m	1.79 m
<b>G</b> Platform Width (Inside Dimension)	0.69 m	0.69 m
<b>H</b> Platform Length (Inside Dimension)	0.85 m	0.85 m
Specifications	SJ12	SJ16
Ground Clearance (Stowed)	5.33 cm	5.33 cm
Ground Clearance (Raised)	1.60 cm	1.60 cm
Weight	864 kg	971 kg
Local Floor Load (with rated load)	745 kPa	827 kPa
Local Floor Load (no load)	593 kPa	676 kPa
Overall Floor Load (with rated load)	10.2 kPa	11.2 kPa
Gradeability	30%	30%
Turning Radius (Inside)	0	0
Turning Radius (Outside)	1.40 m	1.40 m
Lift Time (With Rated Load)	16 sec	20 sec
Lower time (With Rated Load)	14 sec	18 sec
Drive Speed (Stowed)	4.0 km/h	4.0 km/h
Drive Speed (Raised)	0.80 km/h	0.80 km/h
Maximum Drive Height	Full Height	Full Height
Capacity (Overall)	227 kg	227 kg
Maximum # of Persons (indoor/outdoor)	2/1	1/0
Tyre Type	Solid, N/M	Solid, N/M
Tyre Size	12 x 4 x 8	12 x 4 x 8



**Skyjack UK**  
 Unit 1, Maes-y-Clawdd  
 Maesbury Road Industrial Estate  
 Oswestry, Shropshire, SY10 8NN  
 Tel: +44 1691 676235  
 Fax: +44 1691 676239  
 Email: info@skyjackeurope.co.uk

**Skyjack SAS (France)**  
 74 Rue Sibert  
 F-42400 Saint Chamond  
 France  
 Tel: +33 (0) 4 78 73 53 32  
 Tel: +33 (0) 4 78 73 05 68  
 Fax: +33 (0) 4 78 56 52 42

**Skyjack Hebebühnen GmbH (Germany)**  
 Därmannbusch 2a  
 D-58456 Witten  
 Tel: +49 (0) 2302 20 26 909  
 Fax: +49 (0) 2302 20 25 671

**Skyjack AB (Sweden)**  
 Agnesbergsvägen 28  
 424 38 Agnesberg  
 Sweden  
 Tel: +46 (0) 31 21 22 45  
 Fax: +46 (0) 31 787 65 10

[www.skyjack.com](http://www.skyjack.com)